

# Stanley, journey beyond *the stars*.

design Dodo Arslan  
terzani.com

**TERZANI**  
LA LUCE PENSATA



**Name**  
Stanley  
floor lamp

**Materials**  
stainless steel

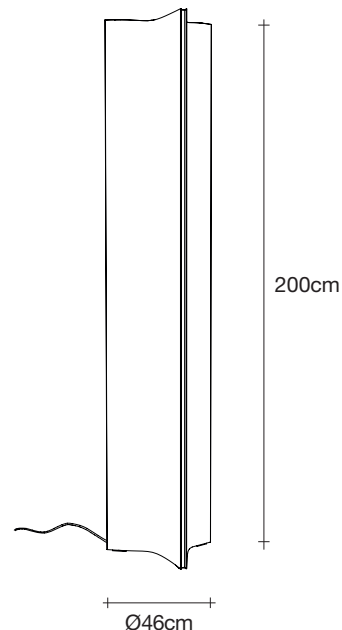


**Finishes | Code**



brushed stainless steel | black cable  
0C05P H2 C8

**Body**



**Light source**  
230-240V ~ 50/60Hz

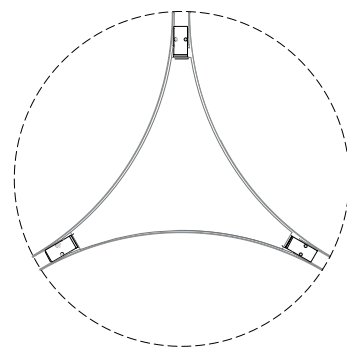


Built in Replaceable integrated LED 115W CRI ≥90  
dynamic white from 2700K to 6000K  
about 10000lm



integrated dimmer with remote control  
included. Compatible with Tuya app.

**Base**



Capturing the mystery, power, and wonder of the stars, this new floor lamp from Dodo Arslan conjures the natural beauty of space and mankind's fascination with the heavens. Blades of crystalline light travel through a field of stars, creating a deep, rich, and nuanced viewing experience. Stanley's multiple perspectives create a cosmic vision with infinite depth. An homage to the genius of Stanley Kubrick and his masterpiece, 2001: A Space Odyssey, Arslan's design aims to open doors to new galaxies. Through recreating the mysteries of our universe, Stanley captures the sense of awe that continues to compel artists, scientists, and dreamers to look to the sky for answers and inspiration. Staying in accordance with the vibrancy of space, Stanley offers a series of chromatic variations which can be customized creating a unique, tonal experience.